

C

3

3

3

3

4

5

7

10

10



11

12

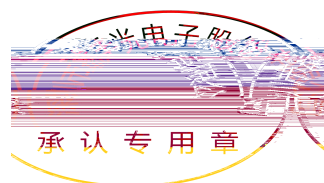
13

14

14

16

16



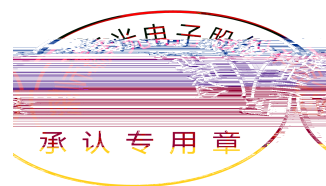
1.1



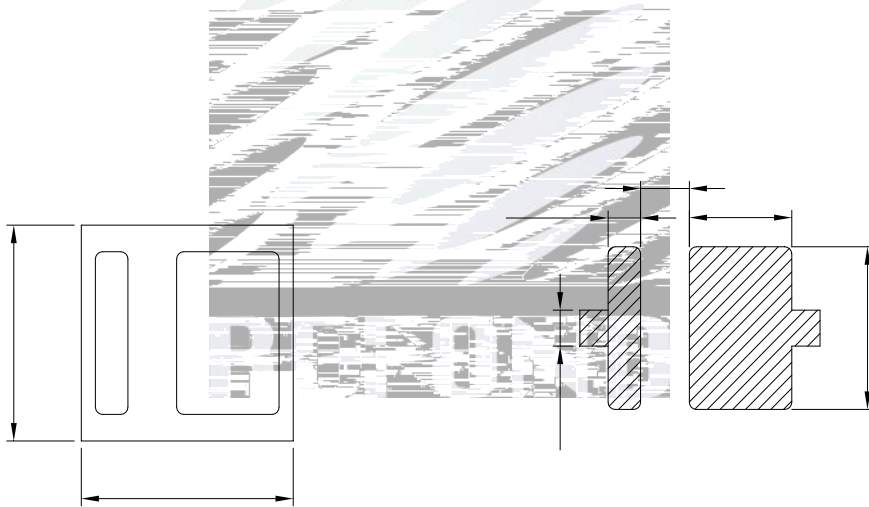
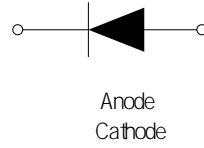
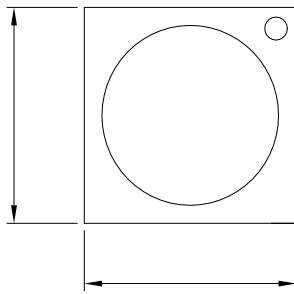
1.2



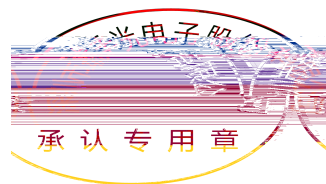
1.



1.



±

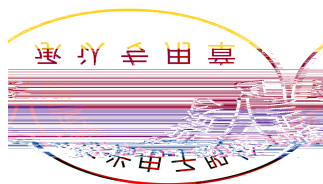


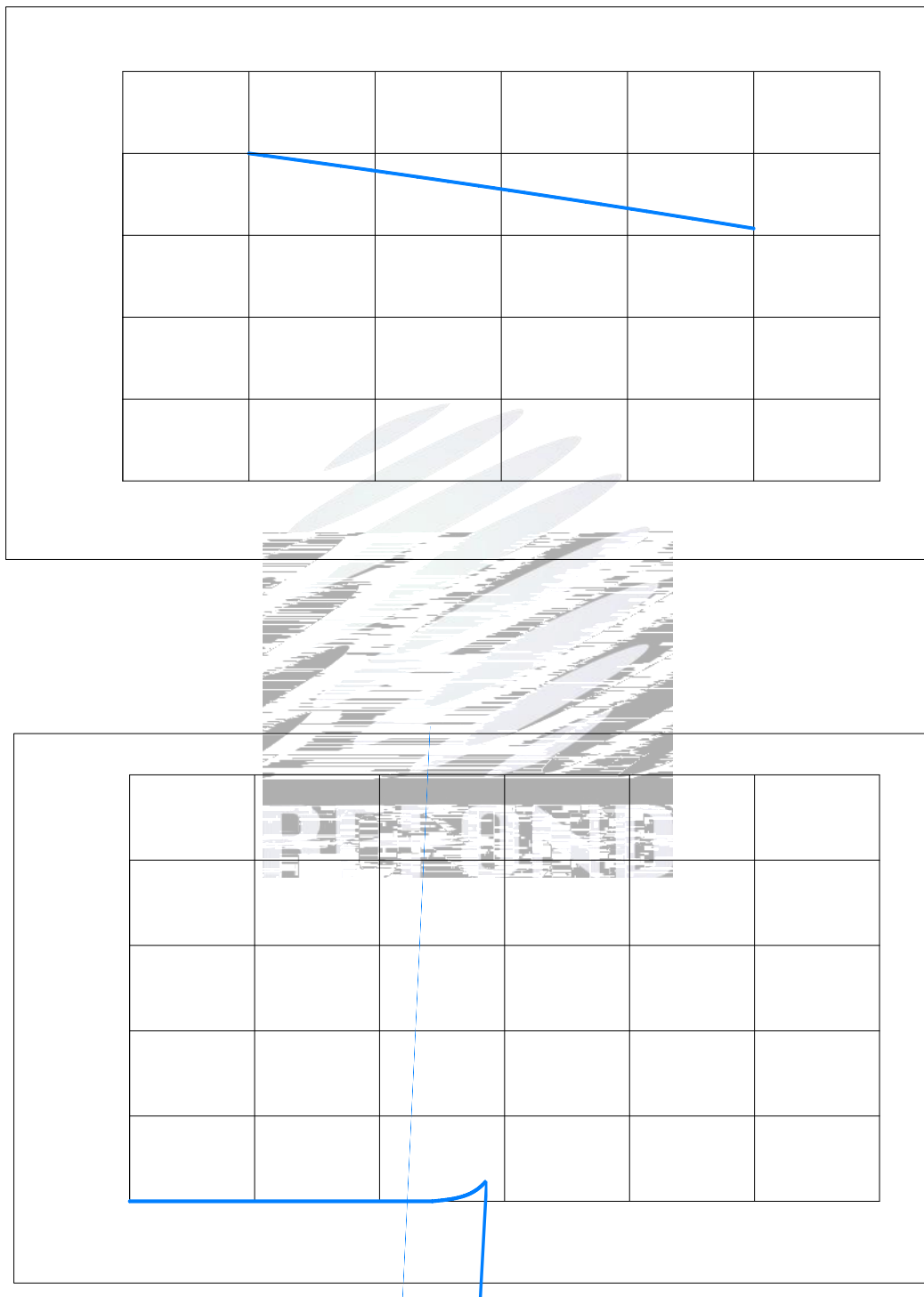
1.

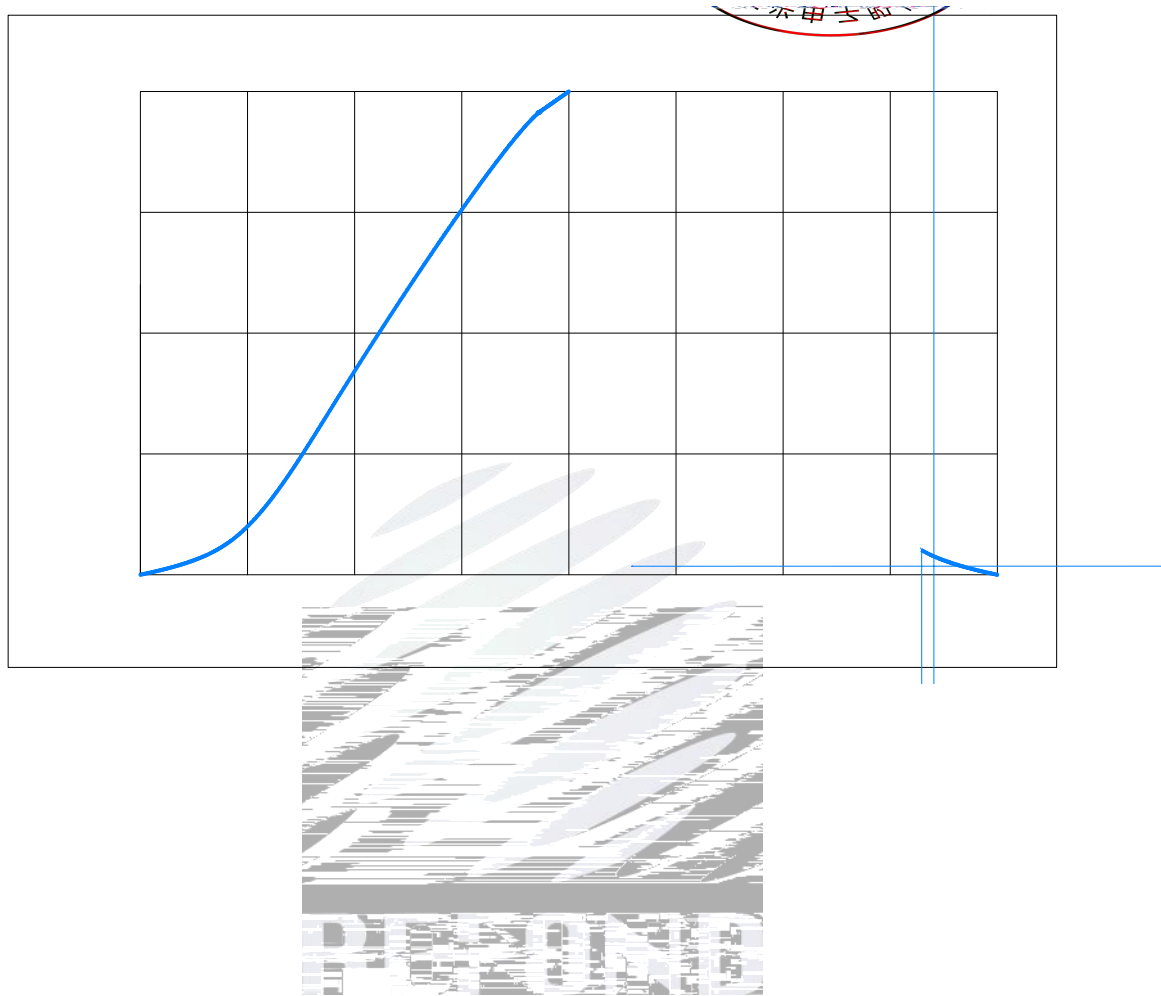
λ





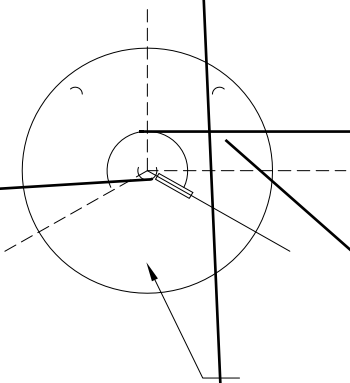
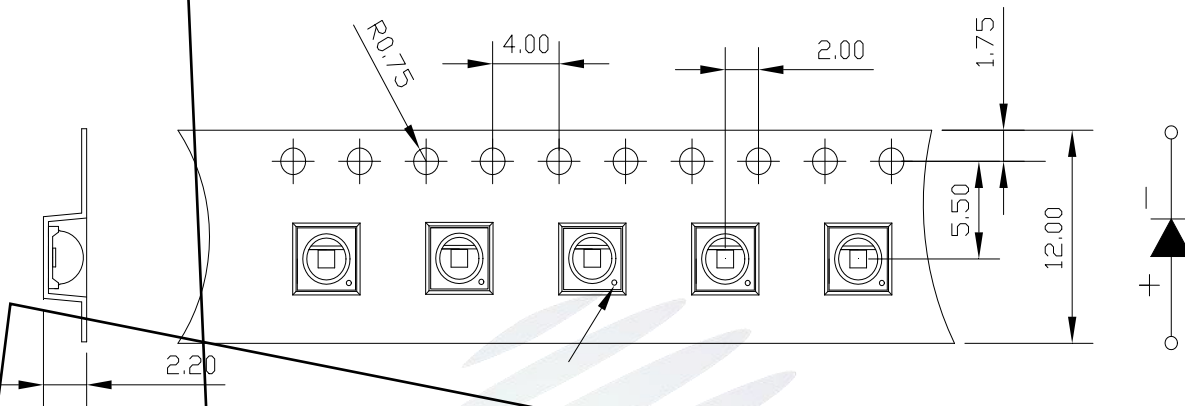


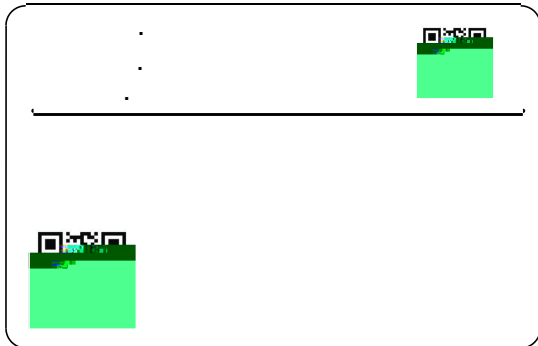


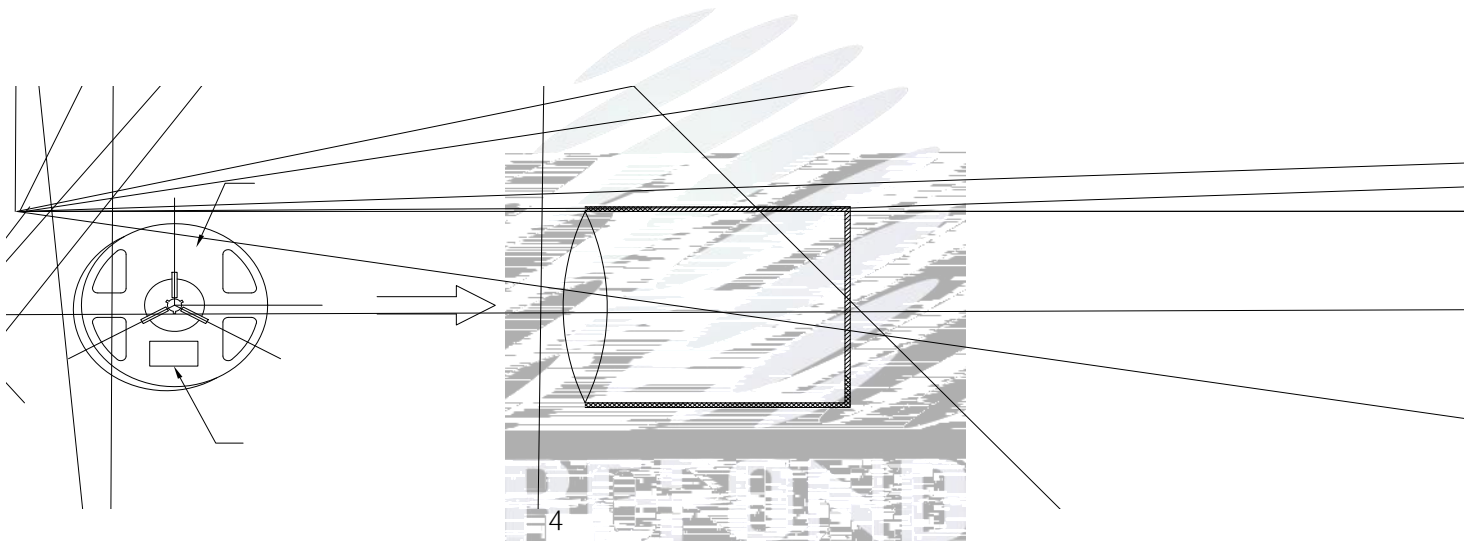


2.

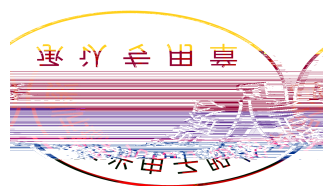
2.1



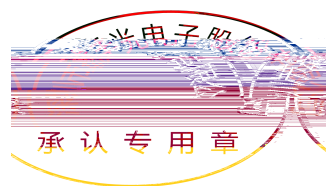





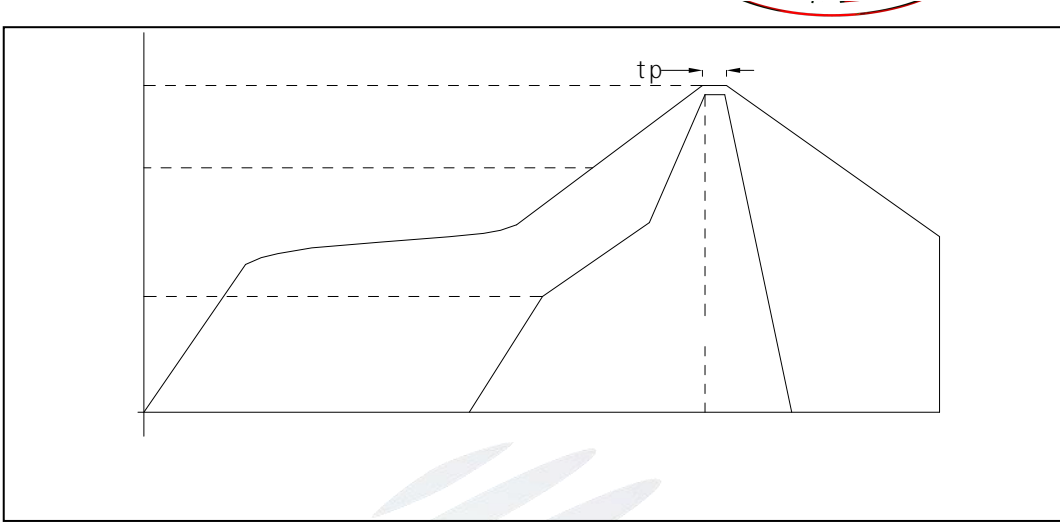
2.



2.



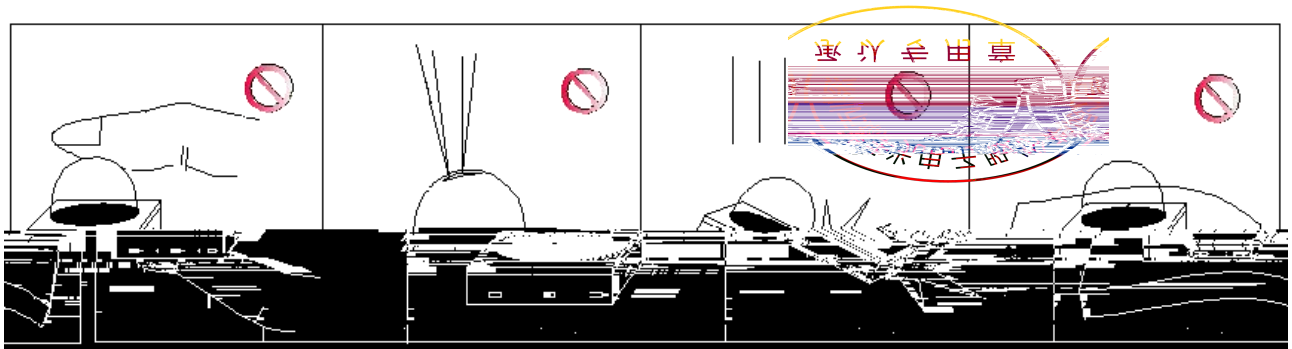
.1





.1







±

