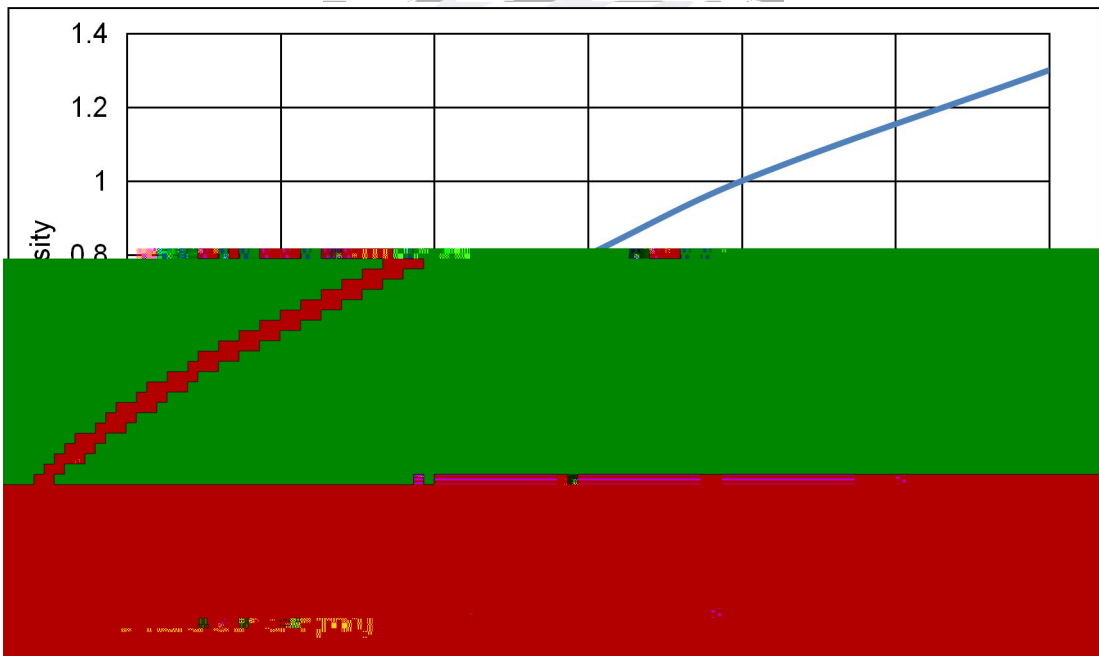
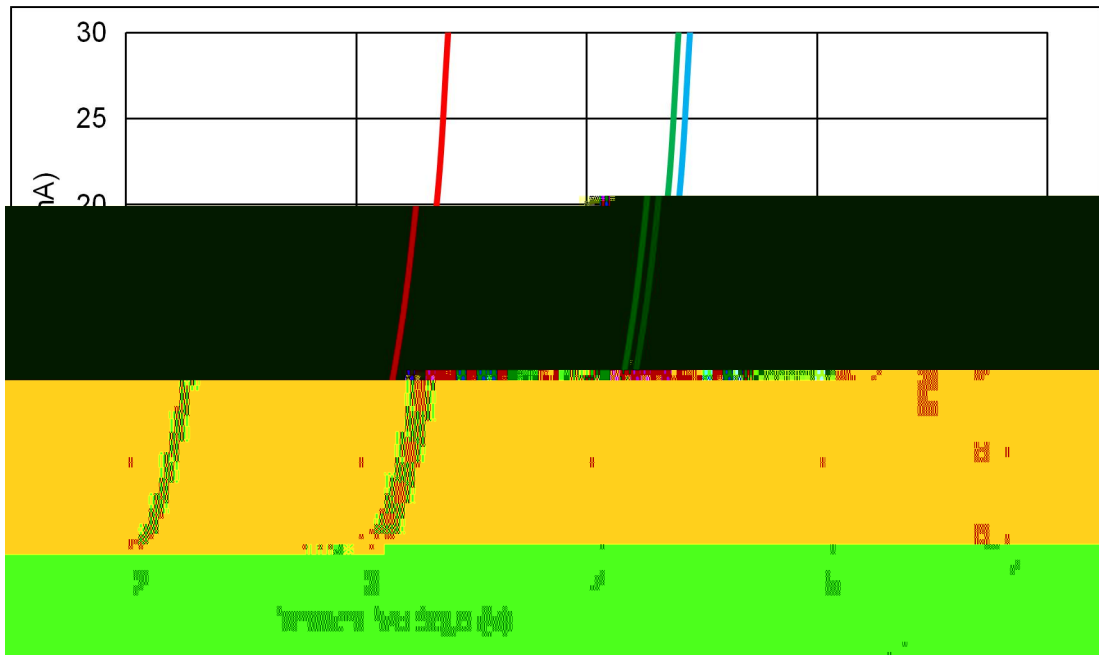
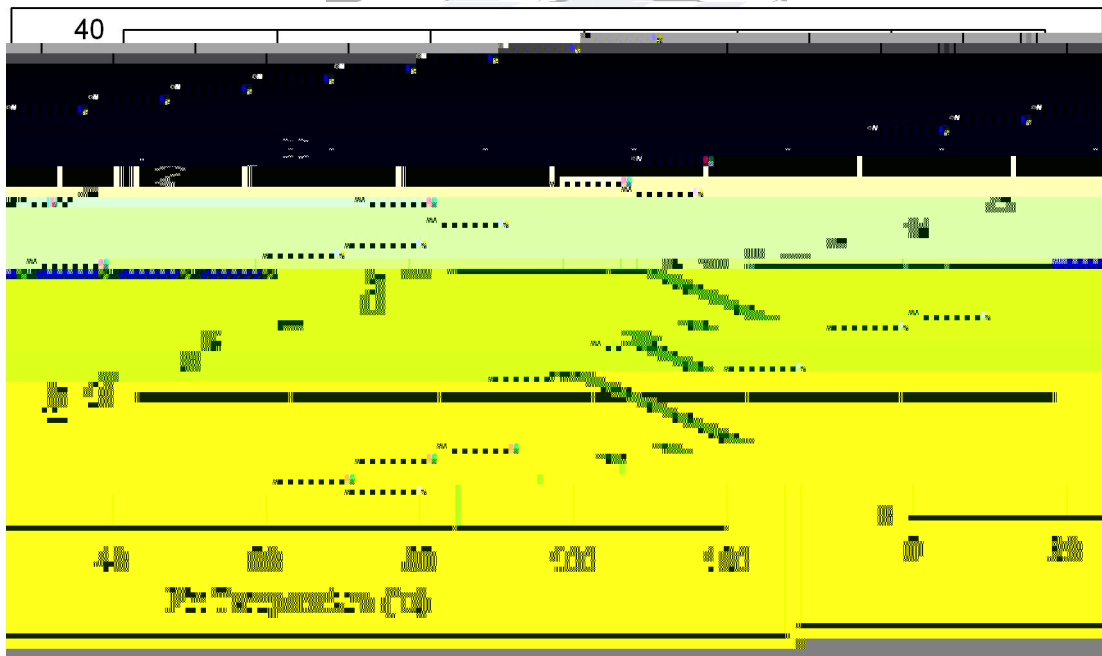
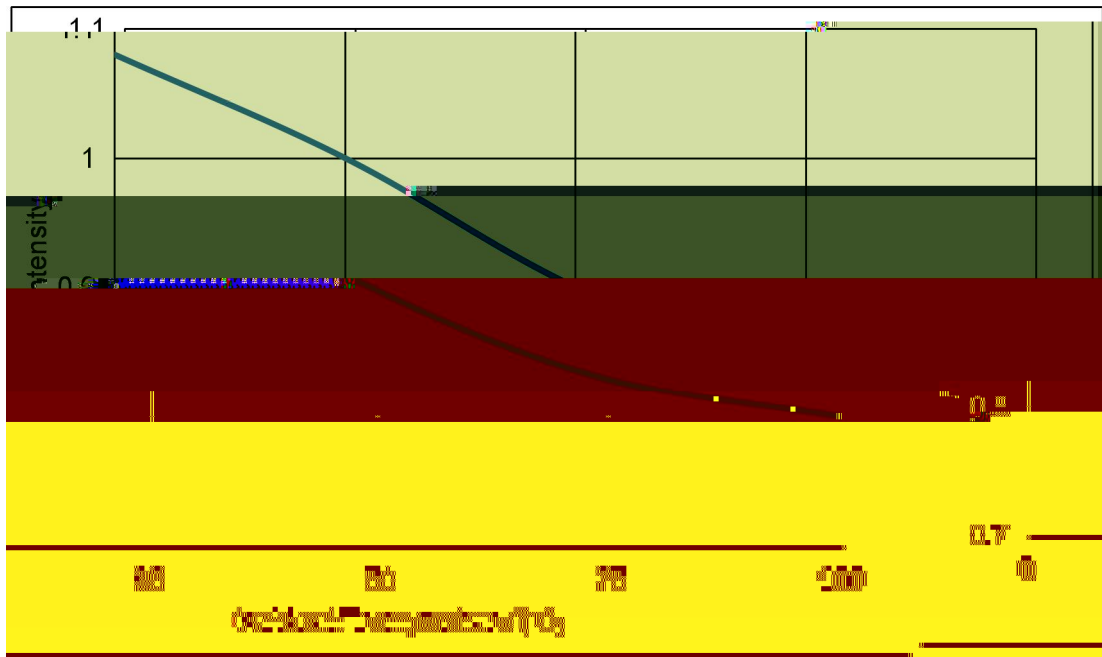


±

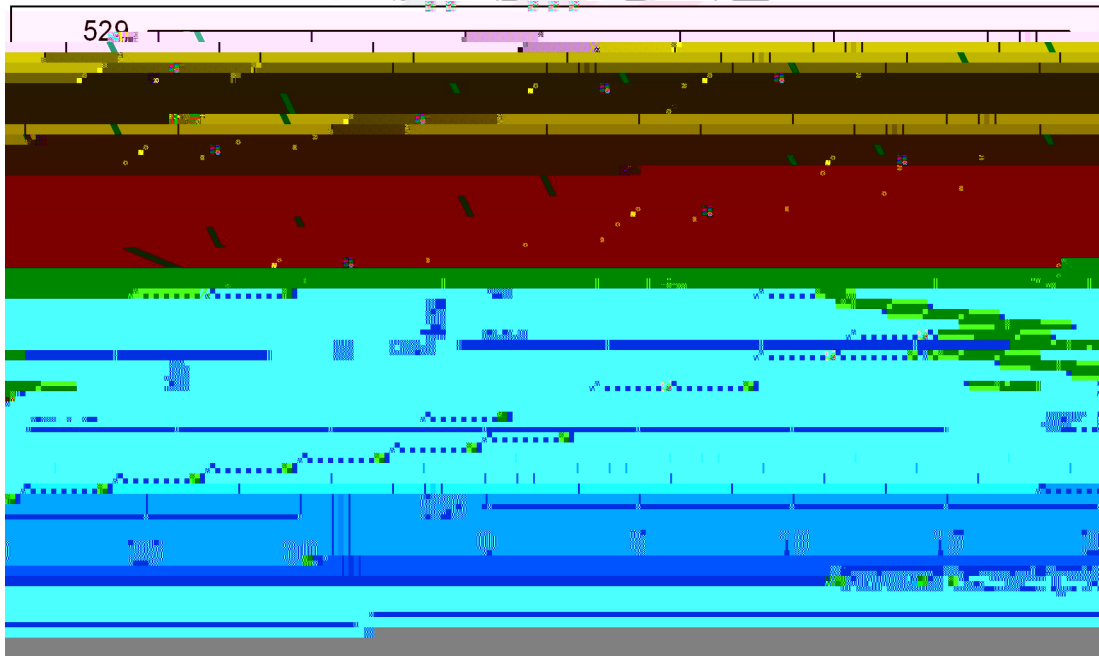
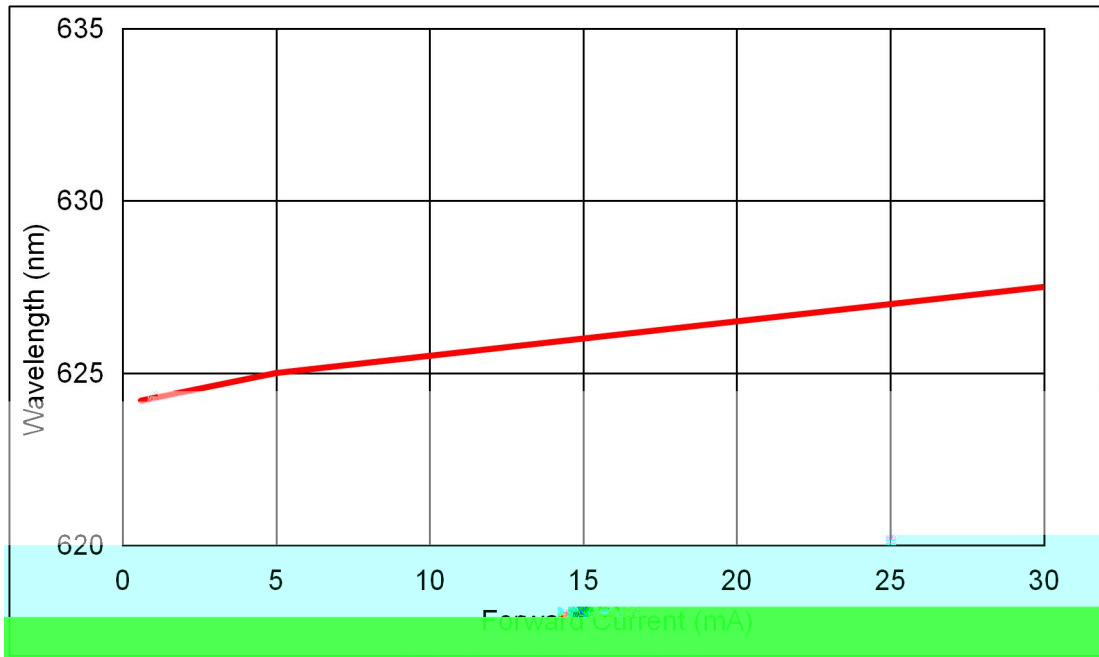


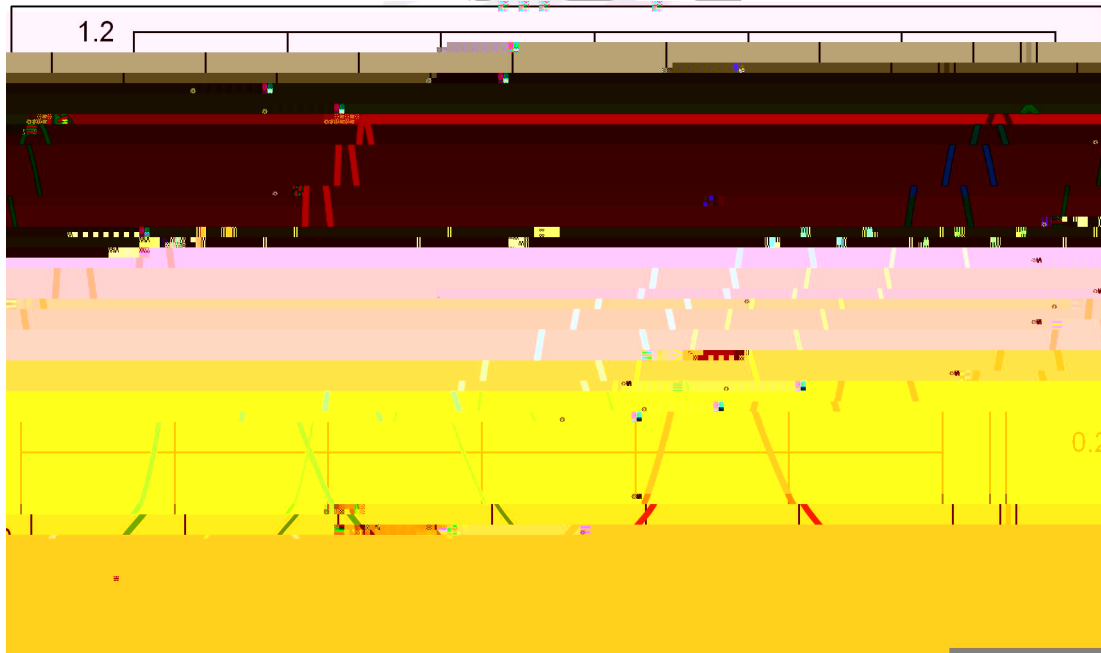
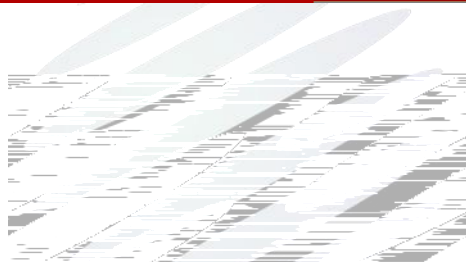
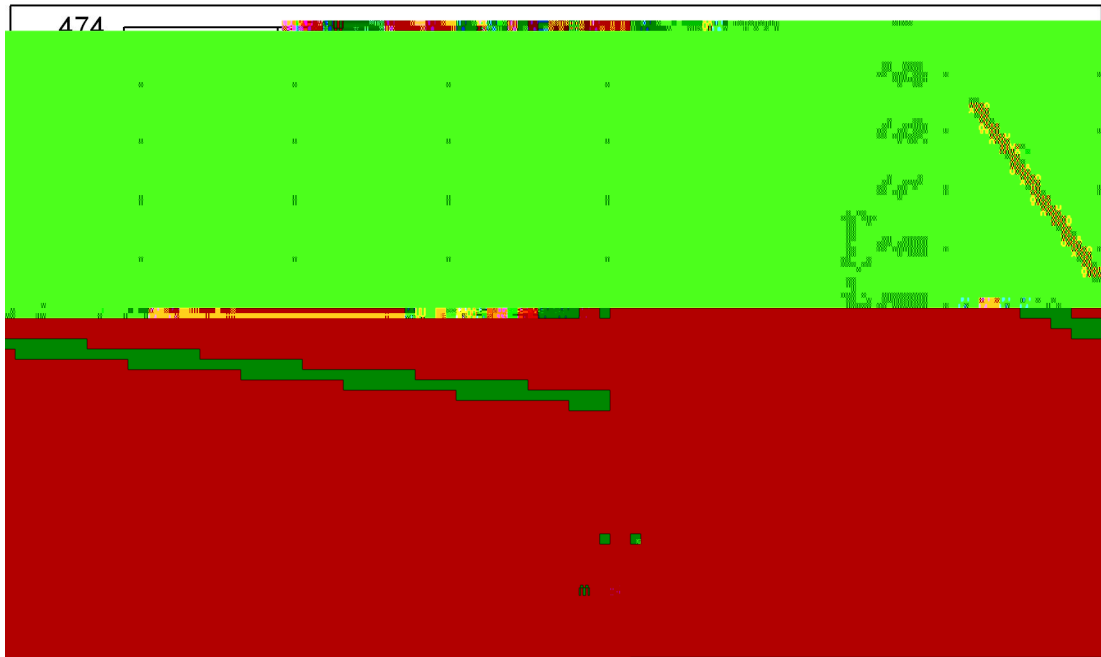


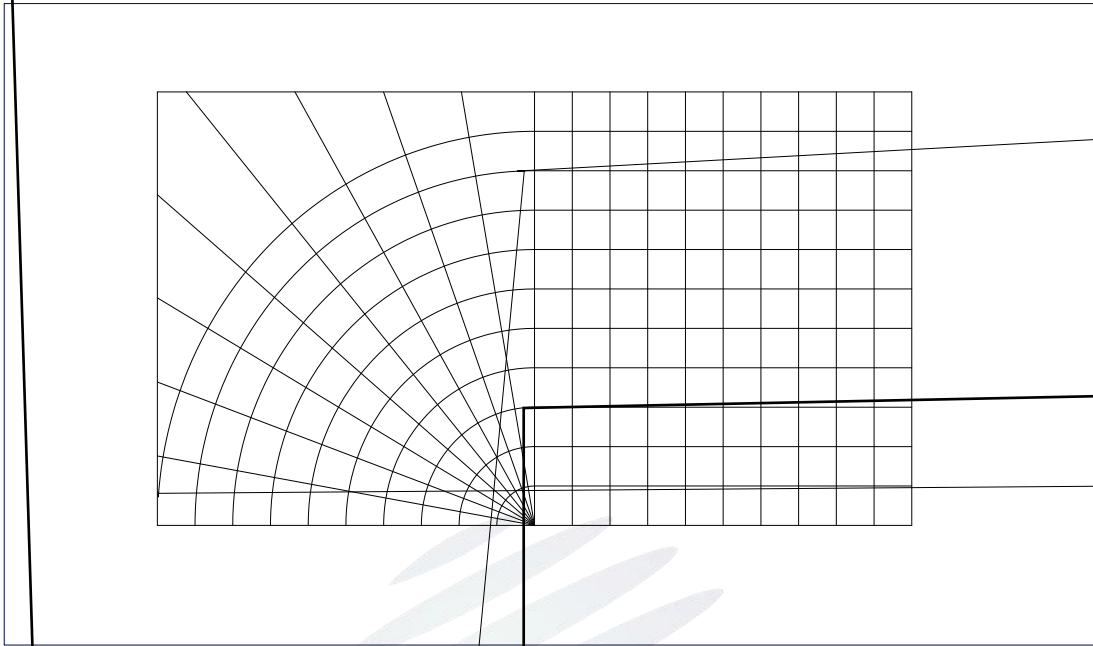














PART NO: .  
 SPEC NO:  
 LOT NO

BIN CODE:  
 Φ: XY:  
 VF: WLD:

QTY:  
 DATE:





---

---

---

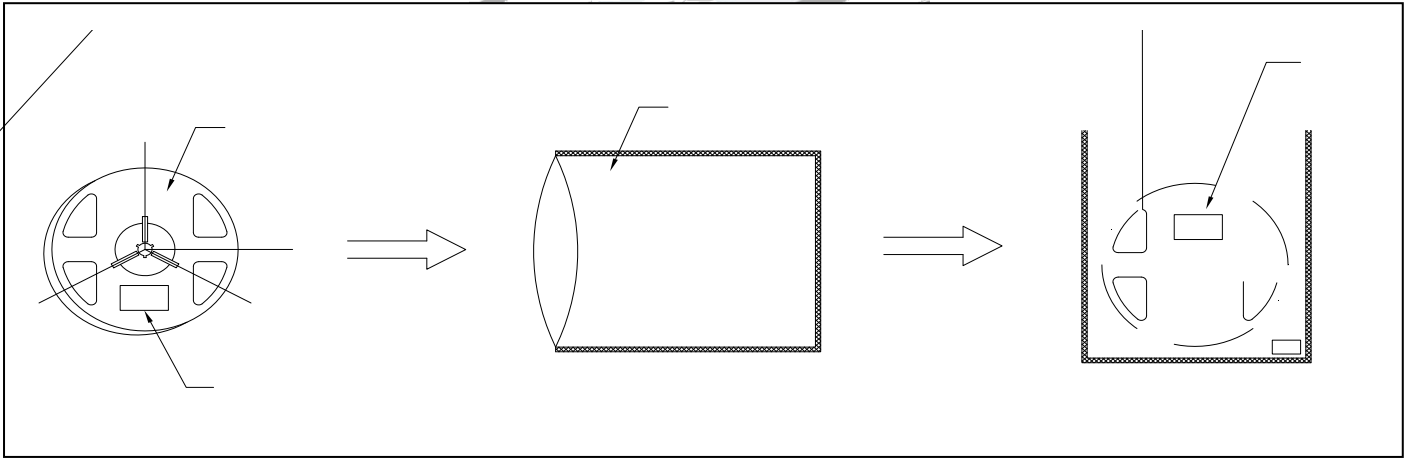
---

---

---

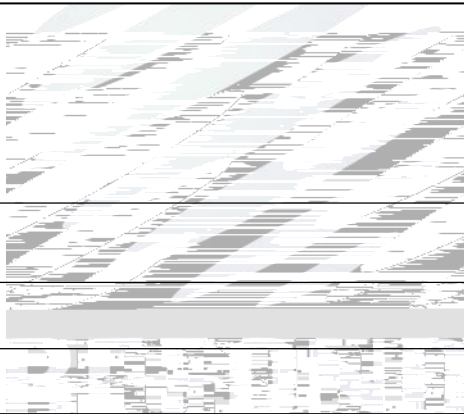
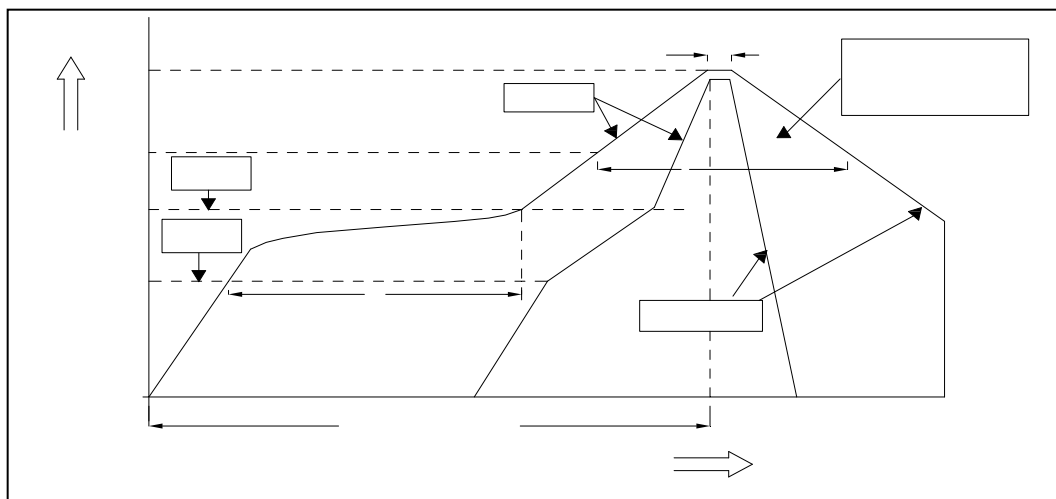
---

---



















( )

,

( ) °C





