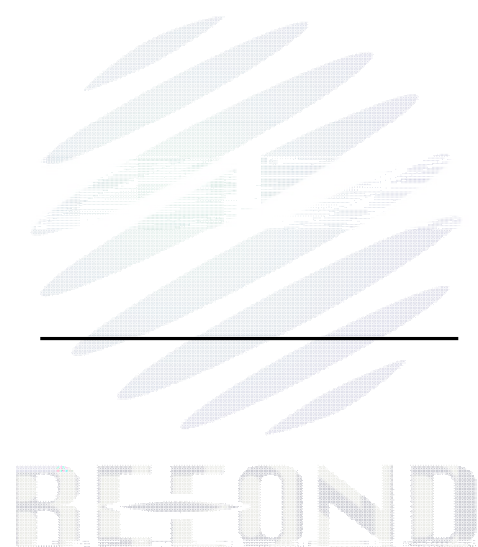


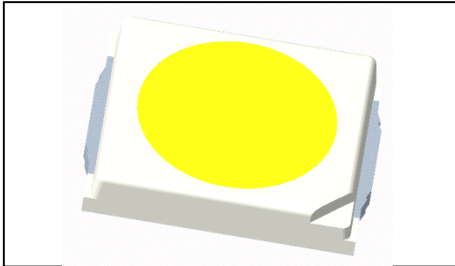
SPECIFICATION





1. Description

1.1



1.2 Features

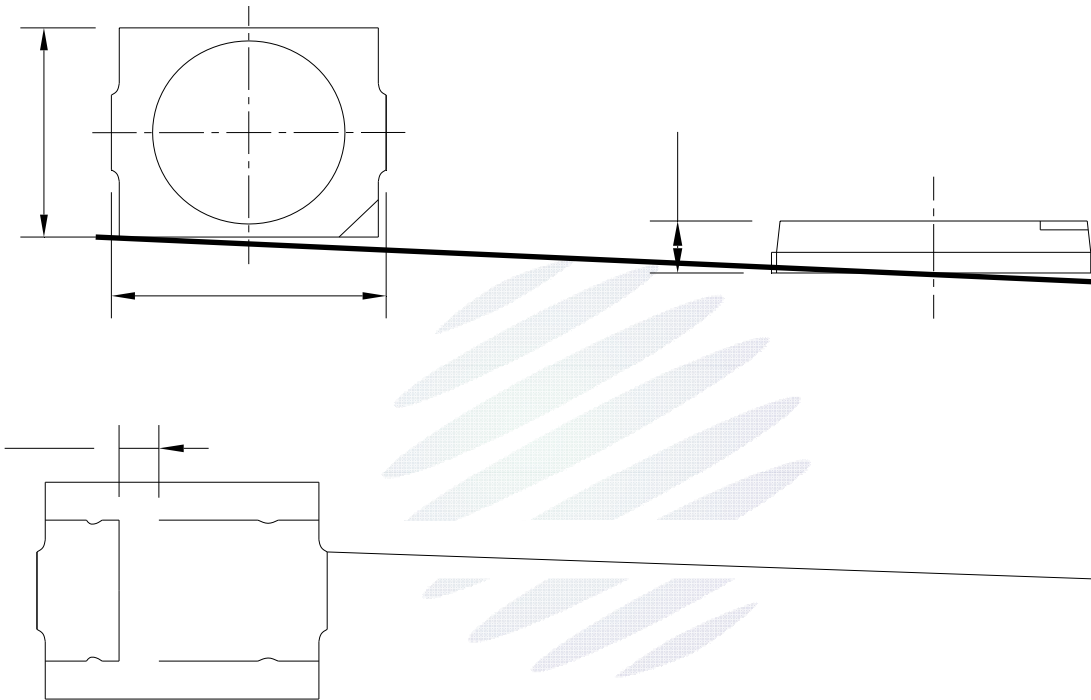


1.3 Application



1.4 Product Selection Table

1.5 Package Dimension

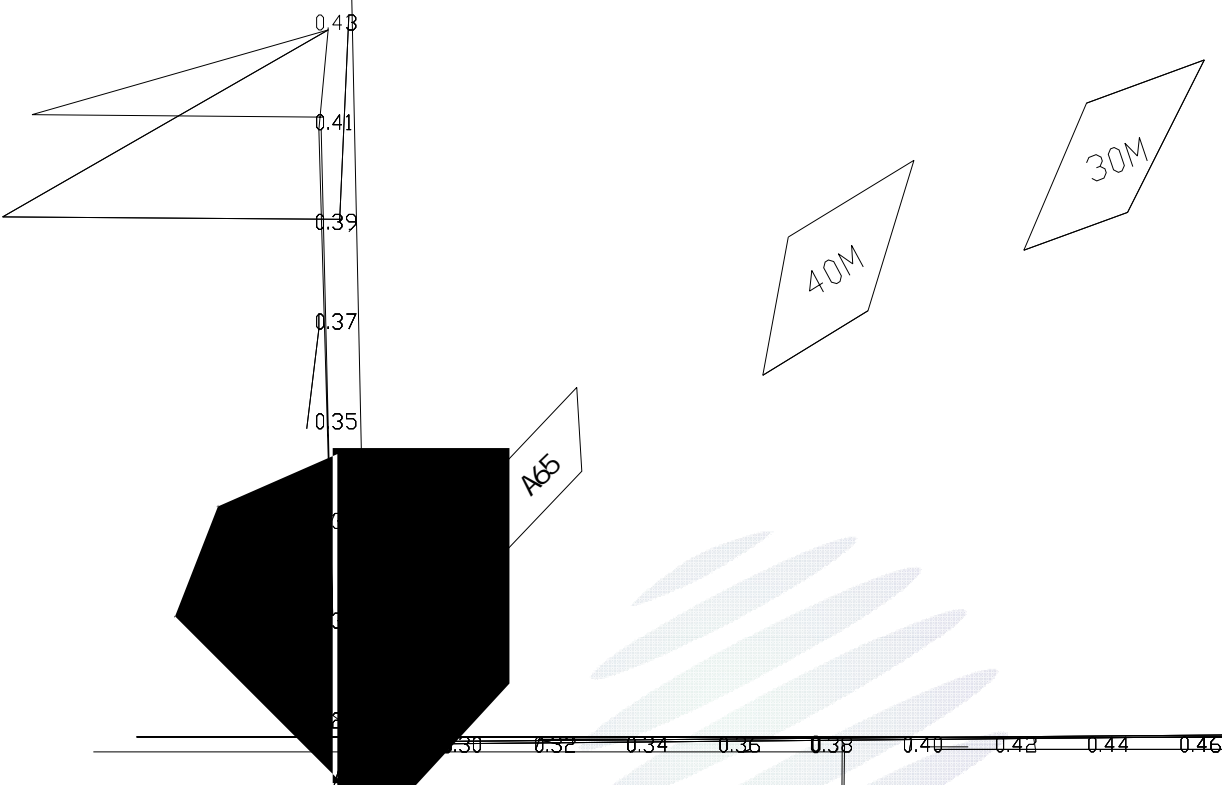


REFOND



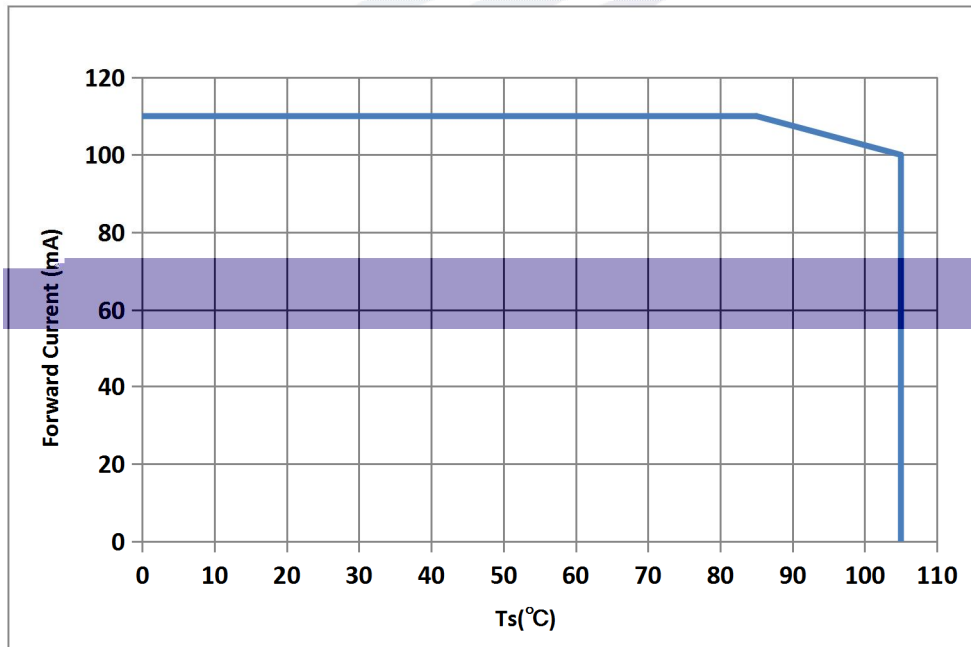
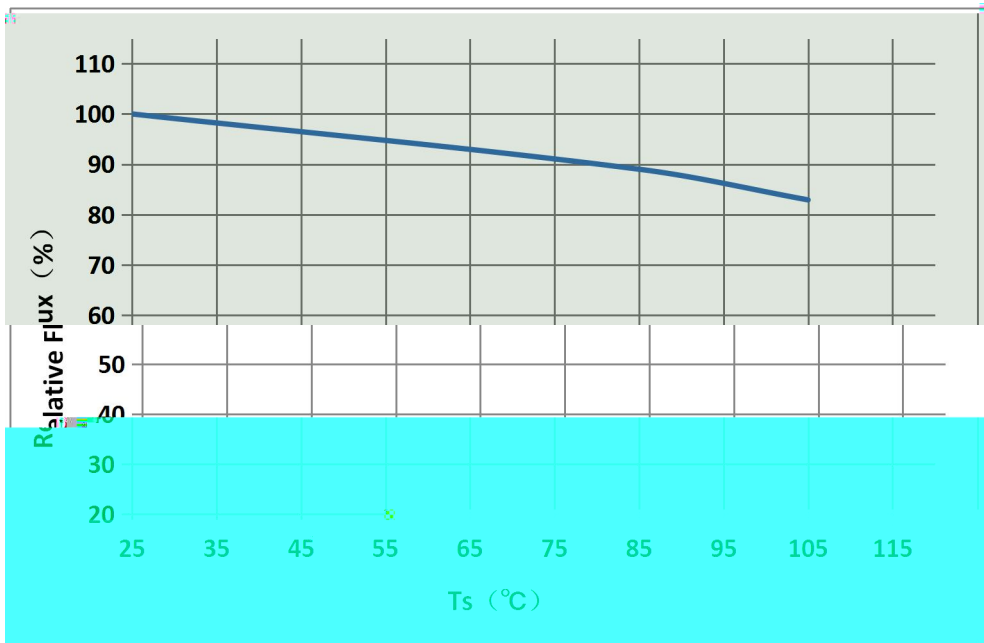
1.6 Product Parameters

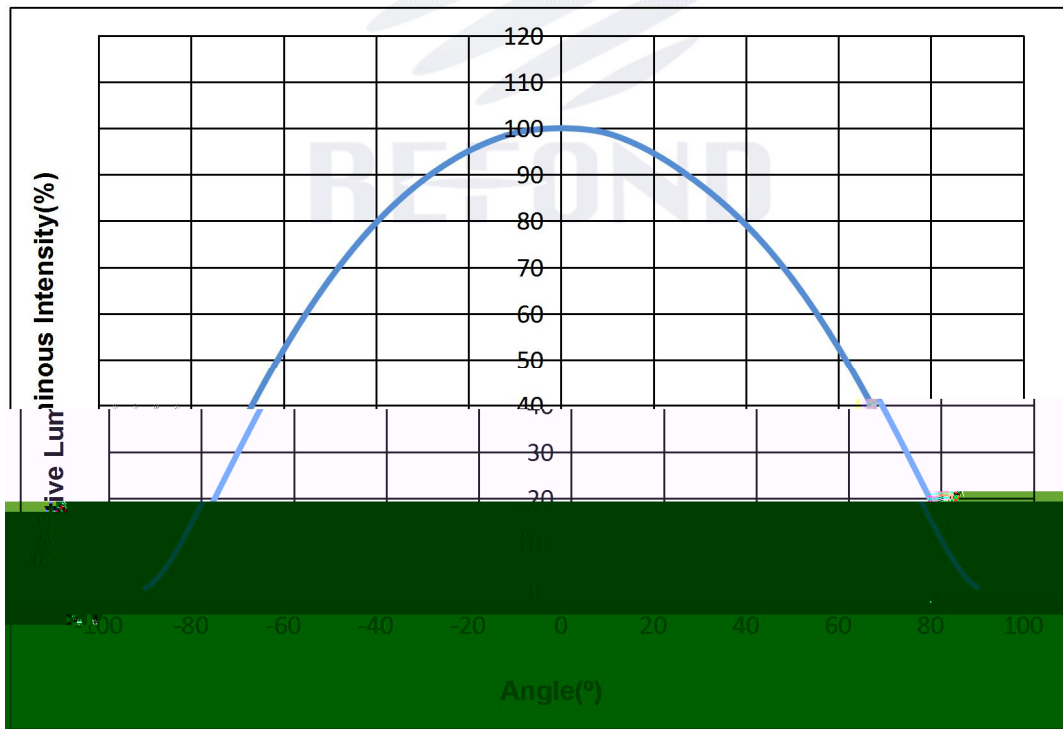
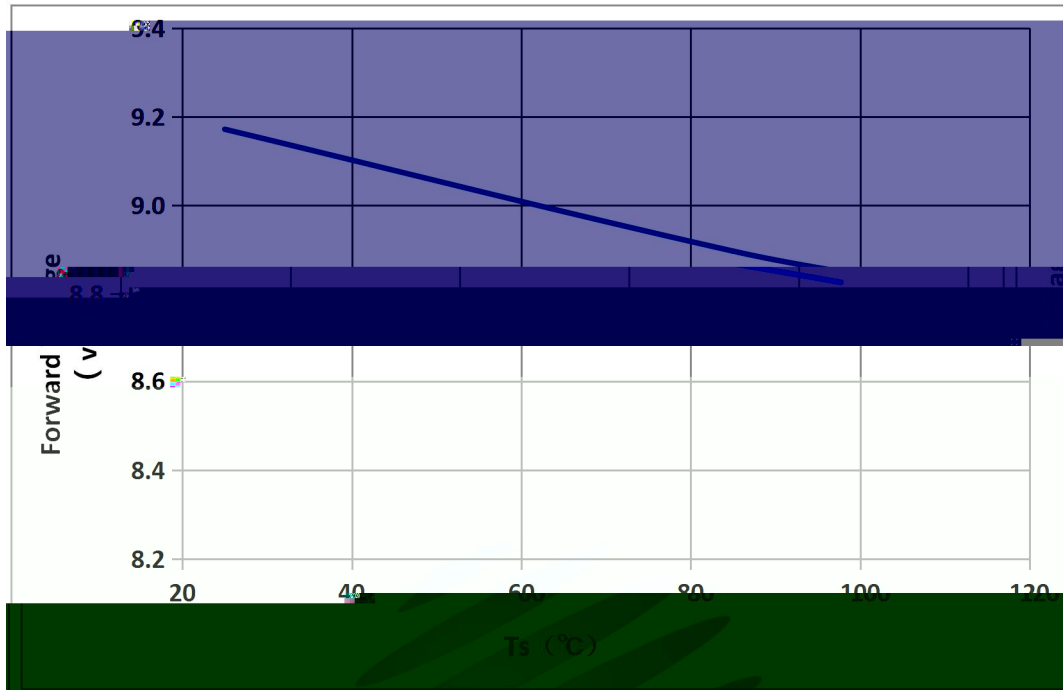


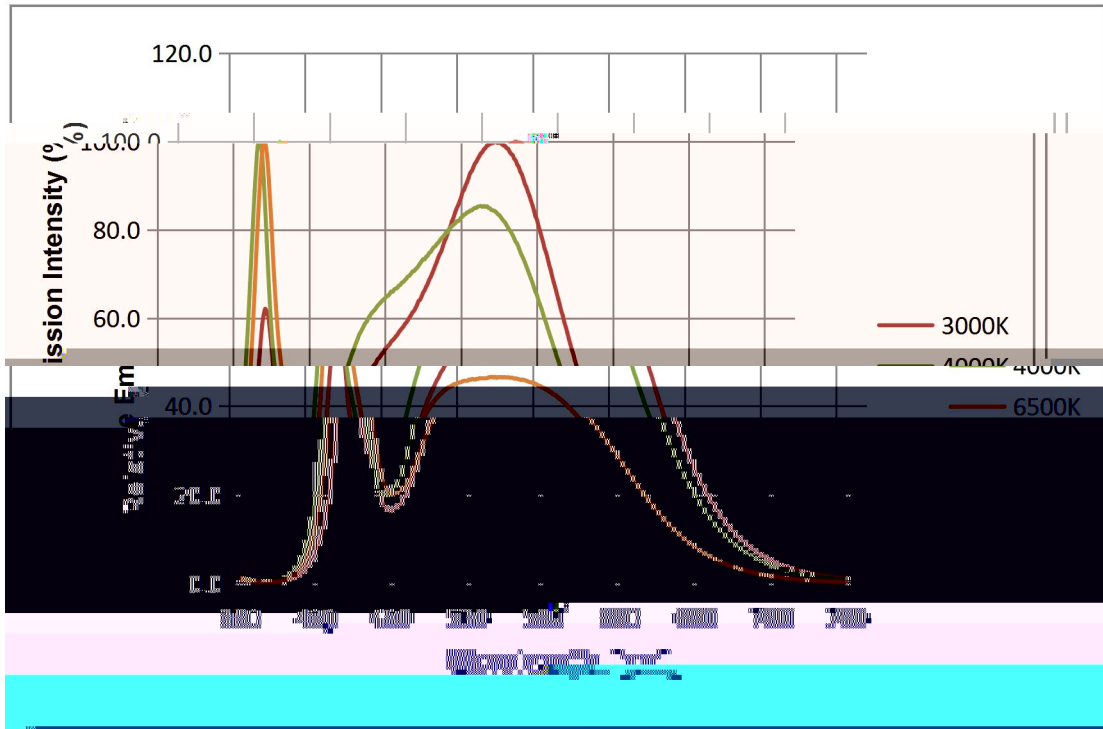


1.8 Typical optical characteristics curves





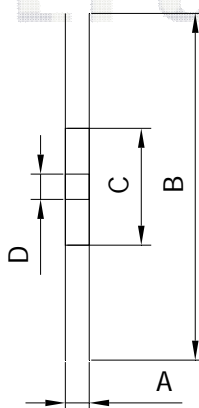
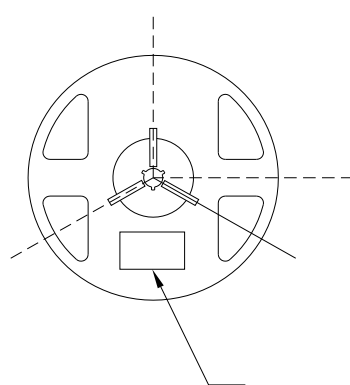
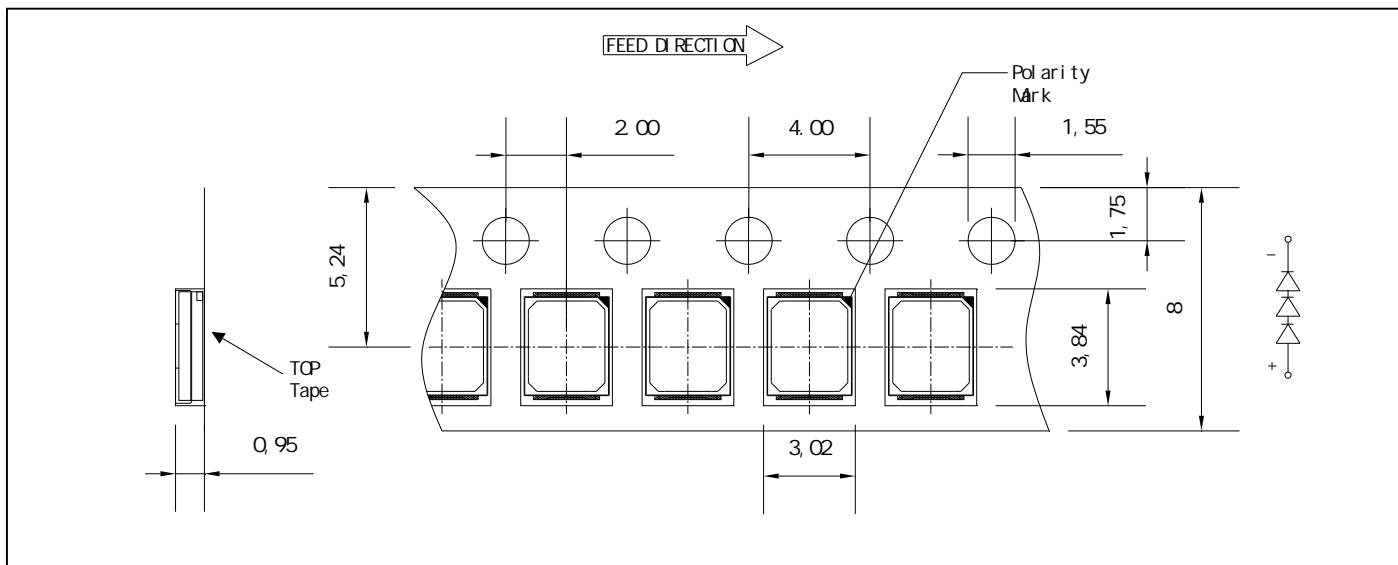




REFOND

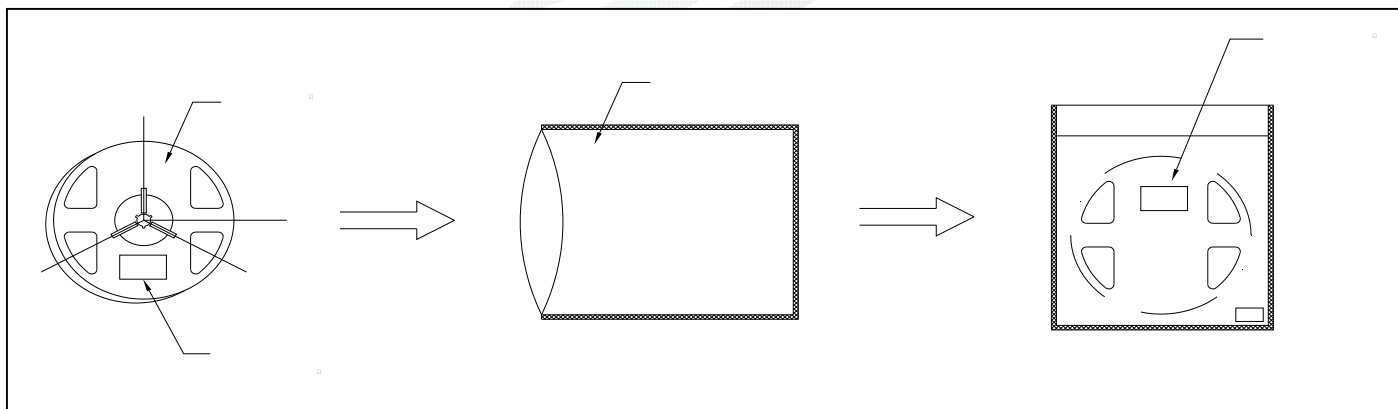
2. Packaging

2.1 Packaging Specification

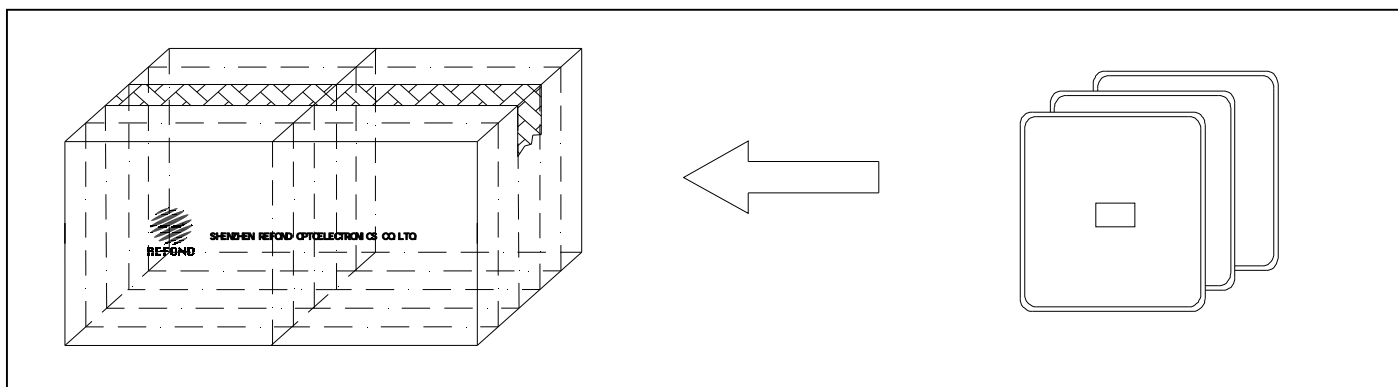


PART NO:		
SPEC NO:		
LOT NO		
BIN CODE:		
Φ:	XY:	
VF:	WLD:	
	QTY:	
	DATE:	

2.2 Moisture Resistant Packing



2.3 Cardboard Box



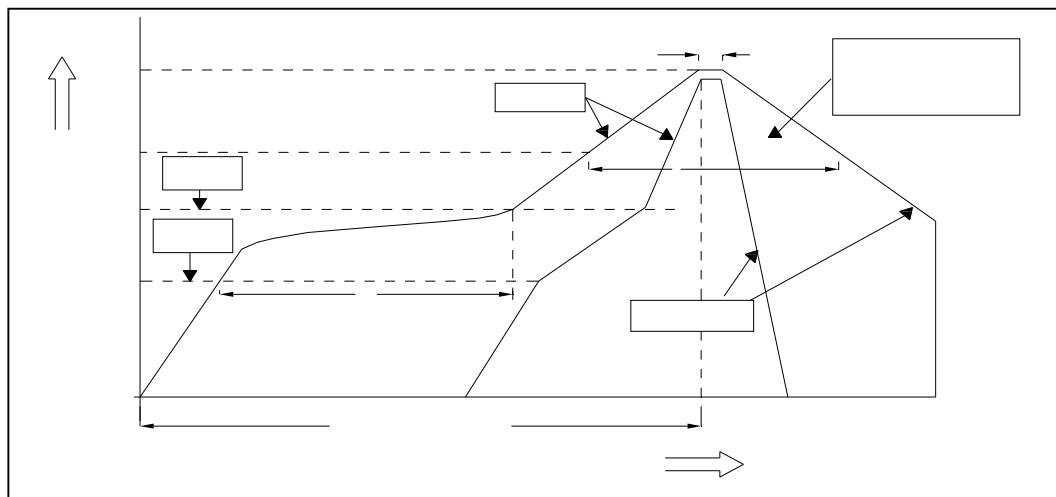
2.4 Reliability Test Items And Conditions

2.5 Criteria For Judging Damage

REFOND

3. SMT Reflow Soldering Instructions SMT

3.1 SMT Reflow Soldering Instructions SMT



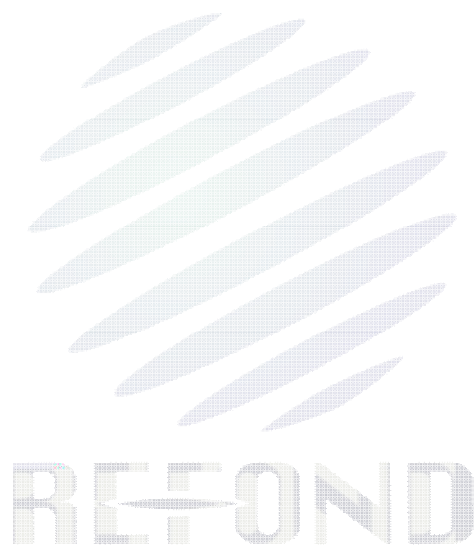
□	
□	
□	
□ □	
□ □	
□	



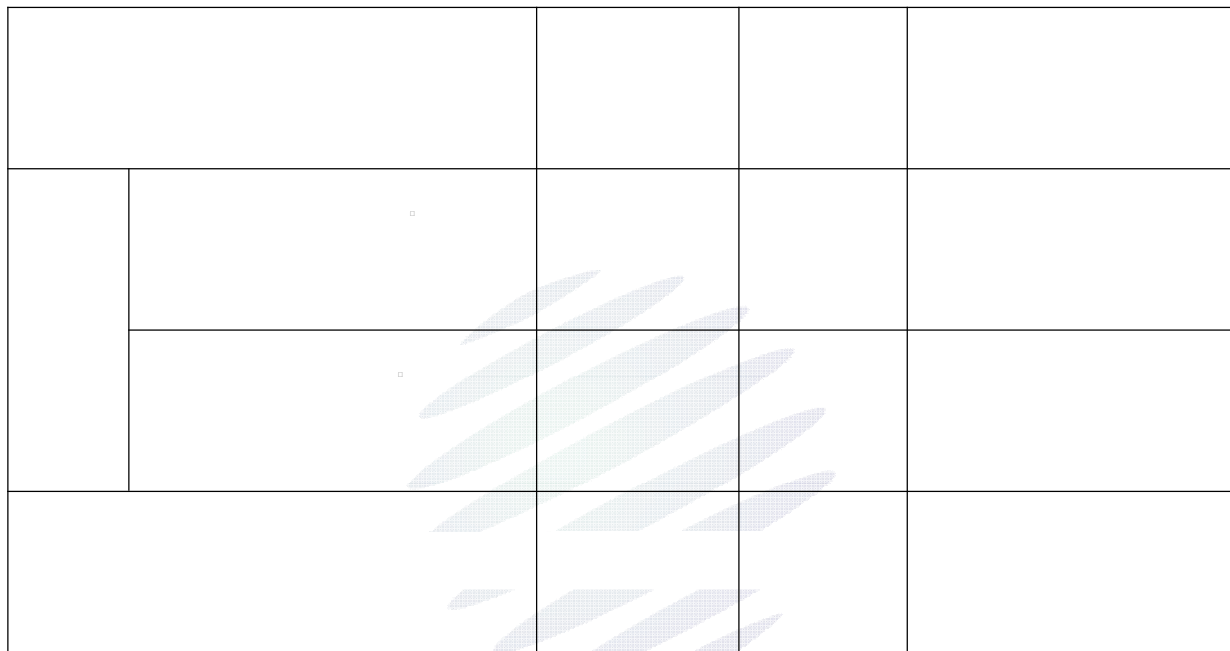
(1)

4. Handling Precautions

4.1 Handling Precautions







REFOND

